



06 INSECT SCREEN DOOR

Air circulation in enclosed spaces, fresh air comes in - insects stay out!



06 INSECT SCREEN DOOR

Usage

Insect screen high-speed doors from HaWe Speed are needed wherever air circulation is desired or required. Companies that are involved in the manufacture and/or processing of food or food packaging must comply with statutory specifications. Standards, such as HACCP (Hazard Analysis and Critical Control Points) or IFS (Interested Featured Standards) shall be observed by the operator depending on the specifications. The result of this may be that all installed doors have insect screens. The special door blinds with a 0.7 mm-fine grate prevent any insects from getting into the areas being protected. What's more they provide employees with a pleasant exchange of air. HaWe Speed insect screens allow you to kill two birds with one stone!

HACCP

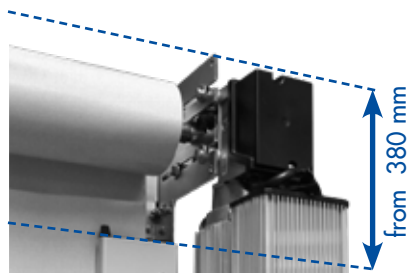
IFS Food



FSSC22000

Insect screen door as combo solution

Our insect screen doors can be easily retrofitted wherever there are already sectional doors or roller shutters. That means good air circulation is guaranteed whenever the external door is open - even during especially hot summers when insects are everywhere!

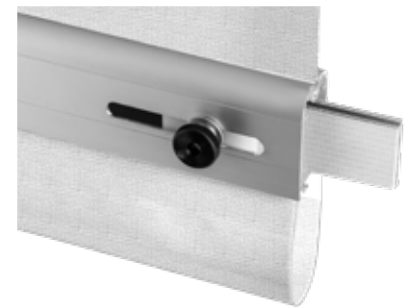


Minimum installation dimensions

Through optimum combination of the door components, minimal installation dimensions are achieved. The 06 door fits in place almost anywhere from a lintel freedom of movement of 365 mm.

Crash, threshold bar, bottom seal

The door includes a crash device as standard. The patented technology enables the door to jump out of the rails after a crash. Repair costs are minimised. The threshold bars and the guide rollers ensure optimum door operation and perfect shutter tensioning. The bottom seal is dimensioned in such a way that even larger areas of unevenness can be balanced out. This is necessary for the sake of HACCP/IFS.



Drive and control technology

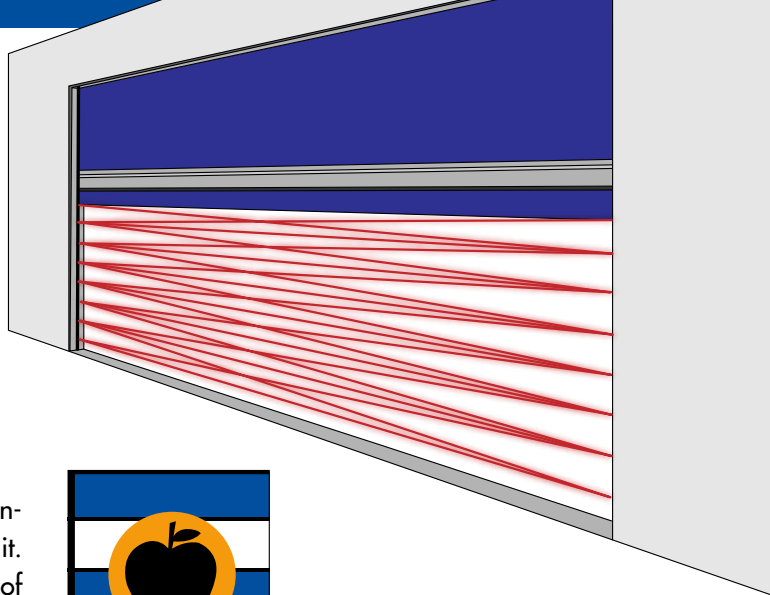
Our drive & control technology is calibrated to the application in each case. Our door systems are equipped with frequency-controlled drives as standard. This has allowed us to achieve the fastest possible opening and closing time for the insect screen door and also to save on material.



For door systems that are used less often, our great-value alternative solution „SLOW“ is available

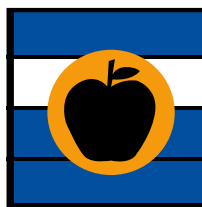
Light grilles

The door has light grilles to protect people and material. These are installed under protection in the lateral guide rails. This prevents undesired contact when the door is lowered.



Special applications

The steel parts in the insect screen doors can be produced in stainless steel (V2A) if the door system's installation site requires it. Delivery of the sensitive components of drives/control systems of protection class IP 65/67 is also possible.



V2A-design

Application examples



Outdoor



Indoor

Customisation of the blind



3 different blind colours are available for our doors. The netting is highly tear-resistant with 0.7 mm² small spaces between. These let the air through and ensure that the insects stay outside.

Colours for warning stripes can be chosen from a wide range to suit the company colours or the door's surroundings.

Selection of the colours for the warningstripes



06 INSECT SCREEN DOOR

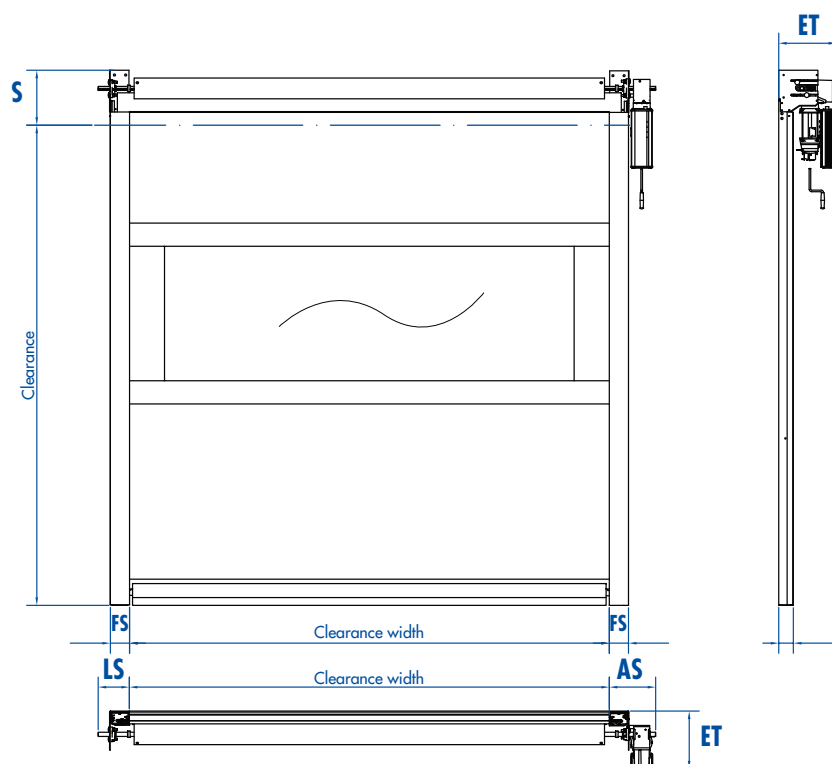
TECHNICAL DATA

- S** Lintel height
- FS** Guide rail width
- LS** Space requirement on bearing side
- AS** Space requirement on drive side
- ET** Installation depth

| MASS | DOOR WIDTH BELOW | DOOR WIDTH ABOVE |
|-----------|------------------|------------------|
| | 4.000 mm | 4.001 mm |
| S | 365/450* | 470/570* |
| FS | 125/125* | 125/125* |
| LS | 145/180* | 180/210* |
| AS | 260/340* | 350/455* |
| ET | 350/500* | 520/650* |

All dimensions in millimetres (mm)

*with drive & shaft cladding



SPEZIFICATION

| | 06 INSECT SCREEN DOOR HIGHSPEED | 06 INSECT SCREEN DOOR SLOW |
|---|------------------------------------|-------------------------------|
| Maximum door sizes in mm - (larger dimensions upon request) | 4.600 x 4.600 mm | 4.600 x 4.600 mm |
| approx. max. speed (opening) | 1,7 m/s | 0,25 m/s |
| Internal door with Wind load class I | ✓ | ✓ |
| External door with Wind load class II (DIN EN 12424) | • | • |
| Crash device | ✓ | ✓ |
| Aluminium threshold bar | ✓ | ✓ |
| automatic leaf tensioning | ✓ | ✓ |
| Front cover | ✓ | ✓ |
| Drive and shaft cladding | • | • |
| Frequency converter technology | ✓ | ✗ |
| Safety light grille IP 67 | ✓ | ✗ |
| Contact strip (with spiral cable or radio) | • | ✗ |
| Stainless steel design (V2A) | • | • |
| Emergency opening via counterweight or as emergency exit door | • | ✗ |

Key: Standard ✓ Optional • Not available ✗

**Quality made in
Germany!**



HaWe Speed GmbH

Zilzkreuz 18
53604 Bad Honnef

Phone +49 (0)2224 98833-0
Fax +49 (0)2224 98833-10
E-Mail info@hawe-speed.de
Web www.hawe-speed.de